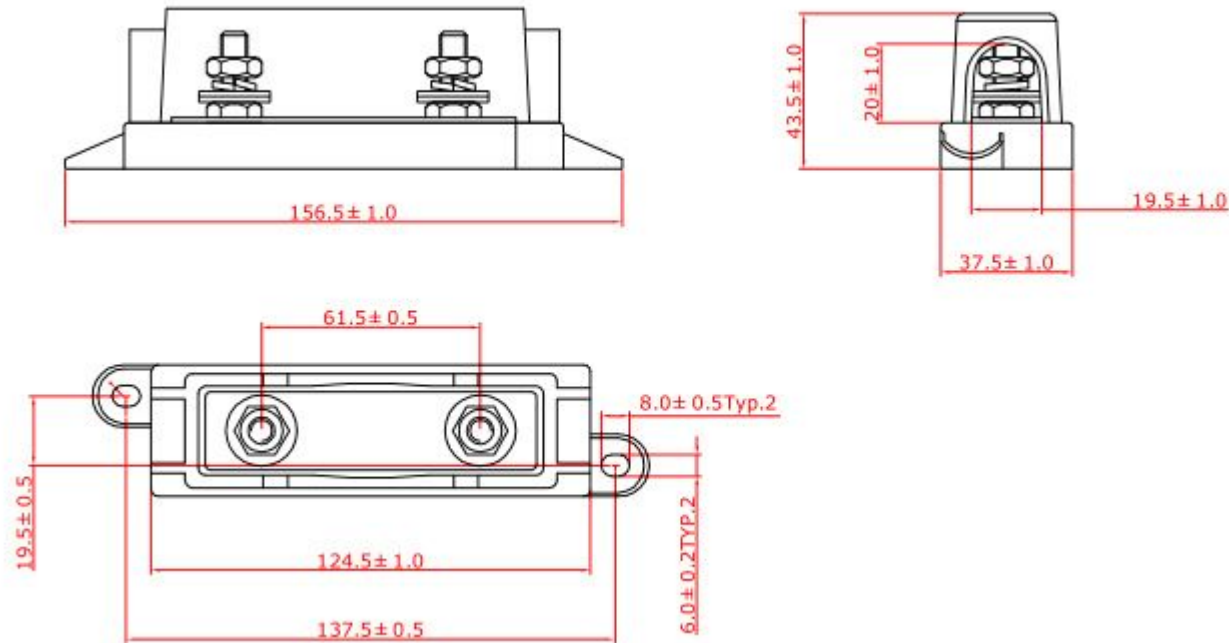


Dongguan Gongfu Electronic Co. Ltd.

[TEL:0769-82391938](tel:0769-82391938) 81100206 FAX:0769-82391939 <http://www.gfefuse.com>



1 product model ANS-500 automotive fork bolt (bolt) fuse holder

2 main body: PBT+PC/ base PBT. transparent protection cover PBT. contact parts: high strength 8.8 grade screw (reduce resistance, reduce heat)

3 designed to achieve high strength, the protection cover absolutely no drop off to increase product safety performance.

4 voltage: 12V-1000VDC. current: 25A-500A/DC. matching (ANL-A/GFEFUSE) car flat plate high power plug fuse

5 practical automotive wiring harness, car batteries, protect the car hi fi system. Electric vehicle charger DC power protection.